

Model PB

Plastic Body Liquid Chemical Meter

The PB is an angle type, plastic body, multi-jet liquid chemical meter.



Features

- The impeller is corrosion resistant and is the only moving element that comes in contact with the liquid
- Electrical output (EV)

Applications

- Measuring flow of fertilizer solutions, for agriculture, distilled water, seawater and many other diluted solutions

Available Sizes

1" (25mm) - Qn=2.5, Qn=5

Technical Specifications

Maximum Working Pressure	10 bar
Maximum Working Temperature	50°C
Body	PVC
Connection	1" BSP
Electrical output	1, 10, 100 liter/pulse

Model PB

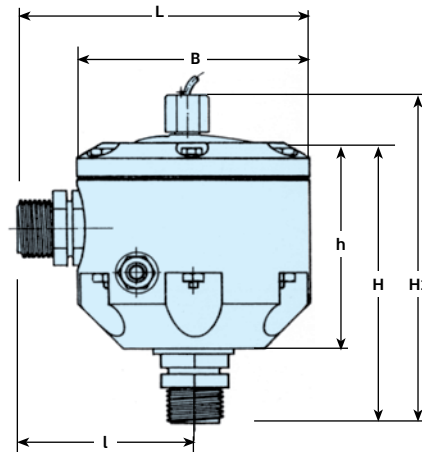
Plastic Body Liquid Chemical Meter

Performance data

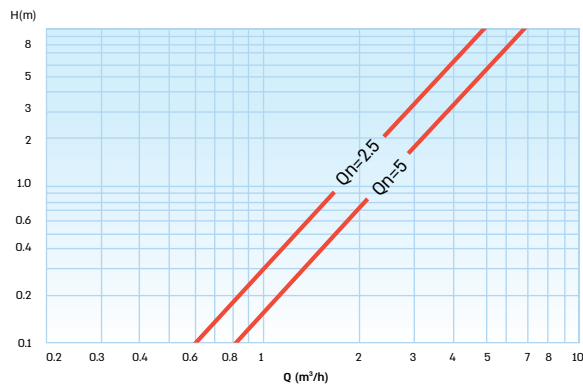
Model PB		Q _{max} Maximum flowrate (m ³ /h)	Q _n Nominal Flowrate (m ³ /h)	Q _t Transitional Flowrate (l/h)	Q _{min} Minimum Flowrate (l/h)	Minimum register capacity (m ³)	Minimum register capacity (Liter)	Accuracy between Q _{max} & Q _t	Accuracy between Q _t & Q _{min}
Nominal Size									
inch	mm								
1	25	5	2.5	200	50	10 ⁵	0.1	2% ±	5% ±
		10	5	400	100	10 ⁵	0.1		

Dimensions

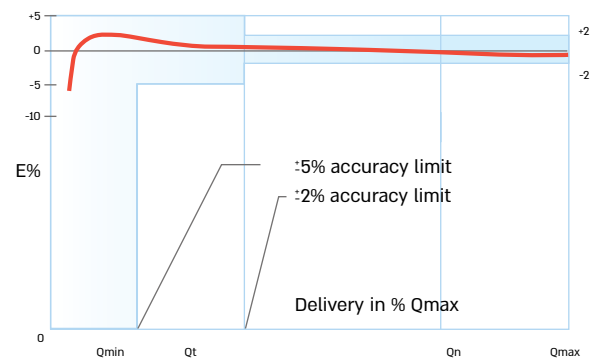
Model	PB	
Nominal size	(mm)	25
	(inch)	1
L - Length (mm)	150	
l - Length (mm)	90	
H - Height (mm)	150	
H1 - Height with reed switch (mm)	170	
h - Height (mm)	115	
B - Width (mm)	120	
Weight (kg)	0.875	



Head Loss Curve



Accuracy Curve



Installation Requirements

- The meter should be installed with dial face in horizontal position
- Specifications are subject to change without notice