

Model P

Positive Displacement Water Meter

ARAD Model P is a positive displacement water meter, rotating piston type. The flowing water causes the piston to rotate within its chamber, each piston revolution being equivalent to a known volume of water.

The piston movement is transferred by a magnetic coupling to the register which has the appropriate reduction gearing.



Applications

Domestic consumption and green houses

Available Sizes

1/2", 3/4" and 1"
(15mm, 20mm and 25mm)

Standards

- MID 2014/32/EU (based on OIML R49:2013, EN 14154 and ISO 4064:2014)

Features

- Specially designed for high accuracy and wide measuring range
- Sealed super-dry register
- Optional Electrical Output: EV, EF, ER



P type dial

Technical Specifications

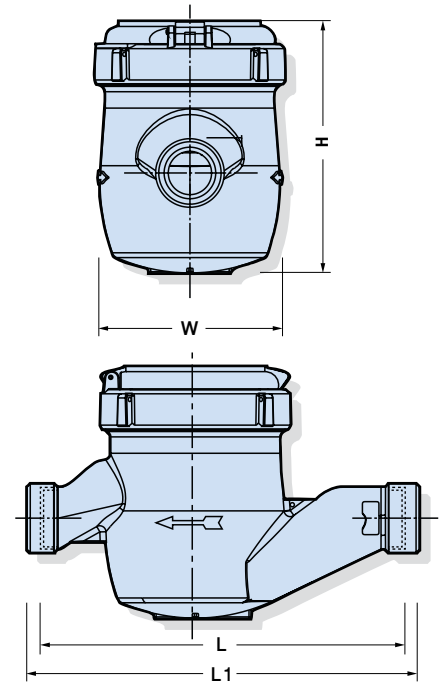
Maximum Working Pressure	16 bar
Maximum Working Temperature	50°C
Body	Corrosion proof copper alloy
Coupling threads	BSP, NPSM

Model P

Positive Displacement Water Meter

Dimensions

Model		P15 (short)	P15	P20	P25
Nominal size	(mm)	15	15	20	25
	(inch)	1/2	1/2	3/4	1
L – Length without couplings (mm)		165	190	190	198 or 260
L – Length without couplings (mm) UK Version		-	134	165	-
L ₁ – Length with couplings (mm)		260	285	285	-
W – Width (mm)		100	100	100	120
H – Height (mm)		108	108	112	145
H – Height RF type (mm)		-	-	-	160
Weight (kg)		1.40	1.50	1.75	3.21
Weight with couplings (kg)		1.60	1.70	2.10	-

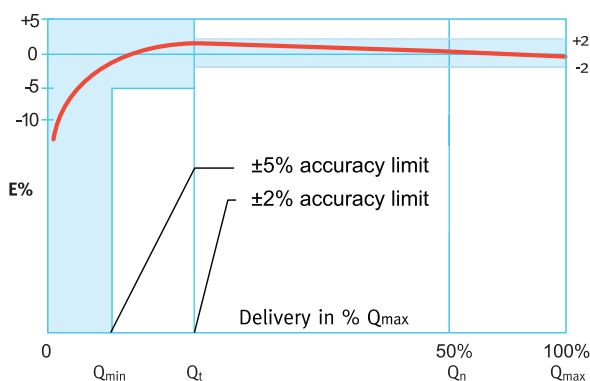


Performance data

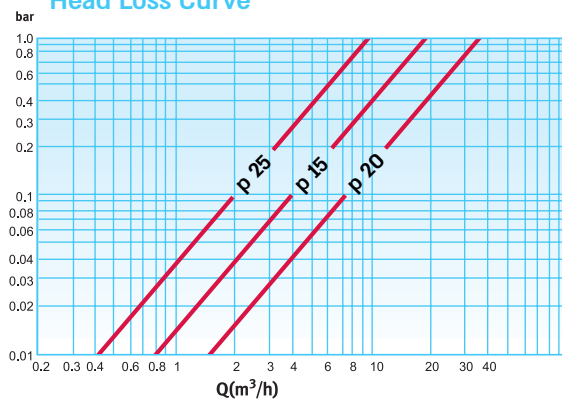
Model	Nominal size (inch)	Q1 Minimum Flowrate (m3/h)	Q2 Transitional Flowrate (m3/h)	Q3 Nominal Flowrate (m3/h)	Q4 Maximum Flowrate (m3/h)	R Q3 / Q1	Smallest readable unit (Liter)
P 15	1/2"	0.016	0.0256	1.6	2.0	100	0.1
P 15*	1/2"	0.010	0.016	1.6	2.0	160	0.1
P 20	3/4"	0.016	0.04	2.5	3.125	100	0.1
P 25	1"	1.6	0.032	6.3	7.88	400	0.1

* On request

Accuracy Curve



Head Loss Curve



Installation

- The meter can be installed in horizontal position
- The meter must always be full of water while operating.
- Prior to the installation of a new meter, the pipeline must be flushed out.