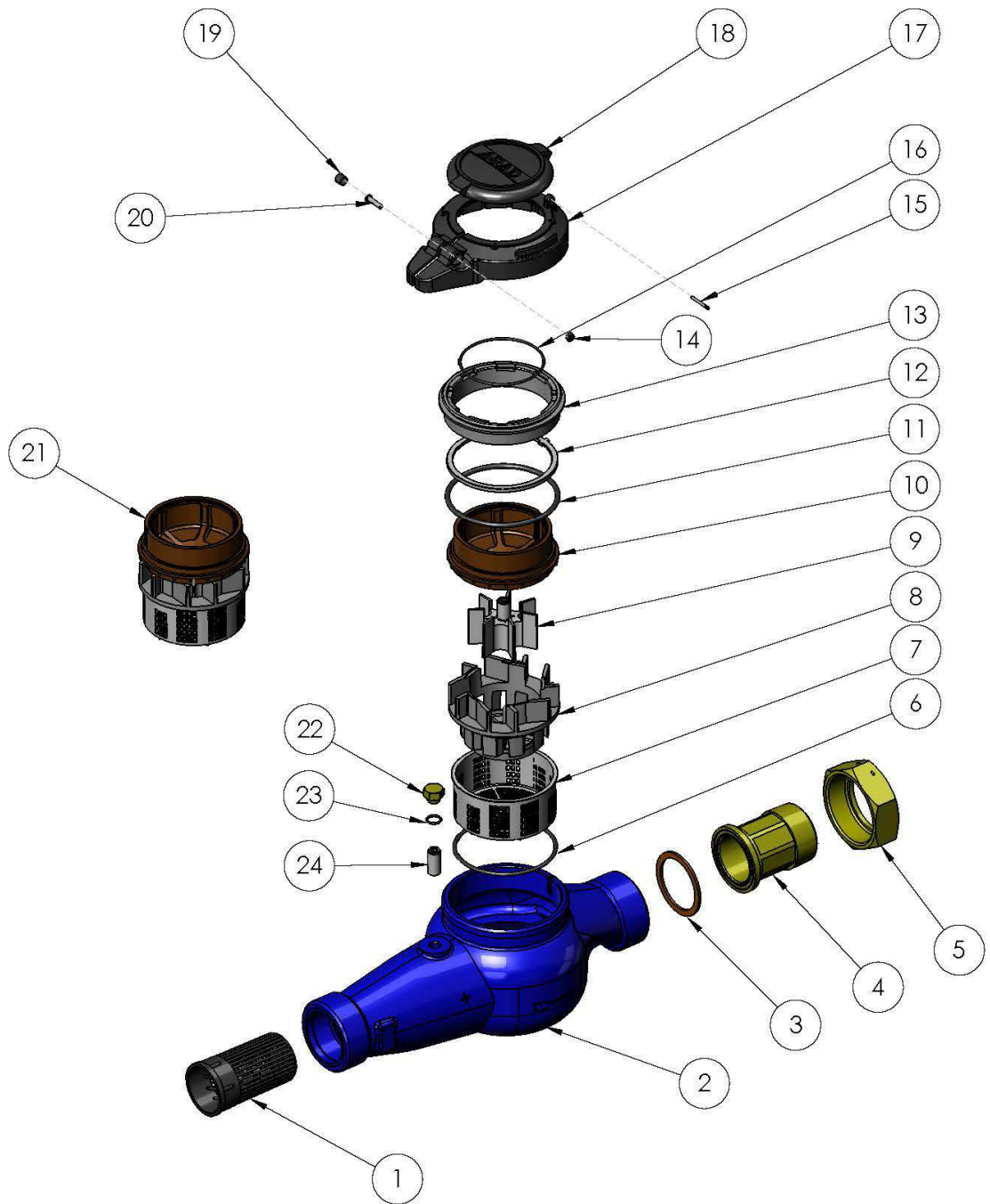


MS 1 1/2" N10 m³ BLUE 11280509



MS 1½"- 40mm

	Cat. No.	Description	Quantity
1	2 54 409 09	STRAINER M 1 1/2"	1
2	3 41 817 09	BODY M 1 1/2" TWO COVERS	1
3	2 06 317 09	Coupling gasket 1 1/2	1
4	2 41 319 09	TAIL PIECE R 1.5 L=65	1
5	2 04 321 09	Coupling nut 1 1/2 2G	1
6	2 06 001 10	O-ring PARKER 2-151 ID-75.87 W-2.62 NBR 70 NSF61	1
7	2 54 421 09	BASKET STRAINER MJ 1 1/2"	1
8	2 16 147 19	MEASURING CHAMBER M 1 1/2"	1
9	2 37 232 29	Vane wheel M 1 1/2"	1
10	2 09 117 19	REGISTER CHAMBER HOUSING M1 1/2"	1
11	2 06 044 10	O-RING PARKER 2-236 ID-82.14 W-3.53 EPDM 70 WRAS	1
12	2 31 402 09	PRESSING RING M 1 1/2"	1
13	2 31 429 09	PRESSURE RING M 1 1/2"	1
14	2 03 706 09	HEX NUT 6-32 UNC A2 AISI 304	1
15	2 67 107 09	LID PIN	1
16	2 06 130 09	O-RING CPO No JN11 (64X1.5)	1
17	2 45 744 09	M 1 1/2" BAND	1
18	2 76 303 09	PLASTIC LID ARAD	1
19	9 33 115 09	DIALOG SEAL	1
20	9 42 106 09	PAN PHILLIPS SCREW A2 6-32 UNC L=15.5	1
21	5 43 806 10	MEASURING CHAMBER M 1 1/2" ISO	1
22	2 10 807 09	REGULATOR CAP SCREW 3/4"	1
23	2 06 146 09	O-RING DR 12238 (9.5x1.5)	1
24	2 13 300 09	REGULATOR SCREW M 1 1/2"	1