

CERTIFIKÁT EÚ SKÚŠKY TYPU

EU – type examination certificate

Číslo dokumentu: SK 21-MI001-SMU067
Document number:

Revízia 0
Revision 0

V súlade s:
In accordance with:

prílohou č. 2, Modul B nariadenia vlády Slovenskej republiky č. 145/2016 Z. z. o sprístupňovaní meradiel na trhu v znení nariadenia vlády SR č. 328/2019 Z. z., ktorým sa preberá smernica Európskeho parlamentu a Rady 2014/32/EU o harmonizácii právnych predpisov členských štátov týkajúcich sa sprístupnenia meradiel na trhu

Annex II, Module B to Government Ordinance of the Slovak Republic No. 145/2016 Coll. Relating to the making available on the market of measuring instruments as amended by Government Ordinance of the Slovak Republic No. 328/2019 Coll., which implemented the Directive 2014/32/EU of the European Parliament and of the Council on the harmonisation of the laws of the Member States relating to the making available on the market of measuring instruments

Žiadateľ/Výrobca:
Issued to (Manufacturer):

Arad Dalia Ltd.
Kibbutz Dalia 19239, Israel

Druh meradla:
Type of instrument:

Vodomer (MI-001)
Water meter (MI-001)

Označenie typu:
Type designation:

PD Gladiator

Základné požiadavky:
Essential requirements:

príloha č. 1 a príloha č. 3 Vodomery (MI-001) k nariadeniu vlády SR č. 145/2016 Z. z. v znení nariadenia vlády SR č. 328/2019 Z. z.
Annex No. I and Annex No. III Water meters (MI-001) to Government Ordinance of the Slovak Republic No. 145/2016 Coll. as amended by Government Ordinance of the Slovak Republic No. 328/2019 Coll.

Platnosť do:
Valid until:

8. január 2031
January 8, 2030

Notifikovaná osoba:
Notified body:

Slovenský metrologický ústav 1781
Slovak Institute of Metrology 1781

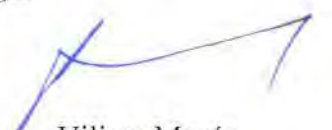
Dátum vydania:
Date of issue:

8. január 2021
January 8, 2021

Základné charakteristiky, popis meradla a podmienky schválenia sú uvedené v prílohe, ktorá je súčasťou tohto certifikátu. Certifikát vrátane prílohy má spolu 11 strán.

Essential characteristics, instrument description and approval conditions are set out in the appendix hereto, which forms the part of the certificate. The certificate including the appendix contains 11 pages.




Viliam Mazúr
zástupca notifikovanej osoby
representative of notified body

Poznámka: Tento certifikát EÚ skúšky typu môže byť rozmnožovaný len celý a nezmenený. Bez podpisu a odtlačku pečiatky je neplatný.
Note: This EU-type examination certificate shall not be reproduced except in full. Certificates without signature and stamp are not valid.

History of the Certificate

Issue of the Certificate	Date	Modification
SK 20-MI001-SMU066, Revision 0	January 8, 2021	Initial certificate

1 Instructions and standards used within assessment
1.1 Generally binding instructions

Meter type was examined in terms of request for given type provisions Government Ordinance of the Slovak Republic No. 145/2016 Coll. relating to the making available on the market of measuring instruments as amended by Government Ordinance of the Slovak Republic No. 328/2019 Coll., which implemented the Directive 2014/32/EU of the European Parliament and of the Council of 26 February 2014 on the harmonisation of the laws of the Member States relating to the making available on the market of measuring instruments as later amended (next Government Ordinance).

Requirements are set out in Annex No. 1 and Annex No. 3 Water Meters (MI-001) to Government Ordinance of SR No. 145/2016 Coll. as amended by Government Ordinance of the Slovak Republic No. 328/2019 Coll.

1.2 Harmonized standards and normative documents used

OIML R 49-1:2006	Water meters intended for the metering of cold potable water and hot water. Part 1: Metrological and technical requirements
OIML R 49-2:2004	Water meters intended for the metering of cold potable water and hot water. Part 2: Test methods
EN 14154-1:2005+A2:2011	Water meters - Part 1: General requirements
EN 14154-2:2005+A2:2011	Water meters - Part 2: Installation and conditions of use
EN 14154-3:2005+A2:2011	Water meters - Part 3: Test methods and equipment

1.3 Other instructions used:

OIML R 49-1:2013	Water meters intended for the metering of cold potable water and hot water. Part 1: Metrological and technical requirements
OIML R 49-2:2013	Water meters intended for the metering of cold potable water and hot water. Part 2: Test methods
OIML R 49-3:2013	Water meters intended for the metering of cold potable water and hot water. Part 3: Test report format
EN ISO 4064-1: 2017	Water meters for cold potable water and hot water. Part 1: Metrological and technical requirements
EN ISO 4064-2: 2017	Water meters for cold potable water and hot water. Part 2: Test methods
EN ISO 4064-3: 2014	Water meters for cold potable water and hot water. Part 3: Test report format
EN ISO 4064-5: 2017	Water meters for cold potable water and hot water. Part 5: Installation requirements



2 Type marking
Volumetric water meter – PD Gladiator Inline and Concentric

Meter is made in following subgroups:

Type of meter	Temperature class	Class	Nominal Diameter
PD Gladiator Inline	T50	M1 ¹⁾	DN 15, DN20
		O ²⁾	
		E1 ¹⁾	
PD Gladiator Concentric	T50	M1 ¹⁾	DN 15, DN20
		O ²⁾	
		E1 ¹⁾	

3 Description of measuring instrument

Meter name: PD Gladiator In-line and Concentric volumetric semi-positive displacement water meter

Type marking: PD15, PD 20

Description of operating principal instrument design:

It incorporates a semi-positive displacement rotary piston measuring assembly mounted in a plastic body that is fitted into a thermoplastic injection moulded body for connection to a manifold in any orientation. The rotary piston drives a magnet that couples to a non - resettable totalising display (register) that indicates up to 99999.99995 m³. The register is positioned on the top of the measurement chamber and secured between the plastic snap - shut register cover and meter body.

The meter is mainly composed of the body group and measuring unit group.

The body group consists of the body, the cap, the lid, adjusting device and the inlet strainer. The glass cover can protect the register against the external damages, and the lid provides the further protection to the register. The water meter couldn't be calibrated by adjusting device or by another way because of volumetric principle of measuring.

Water meters could be installing for mounting on pipelines in every possible position. Accidental occurrence of a reverse flow does not affect metrological characteristics provided for a normal flow.

All the meters can be pre-equipped for option of having a signal for remote reading purposes - automated computerized system (wireless metering system) for controlling of metering of delivered water quantity which was not part of this certification.

¹ according to Government Ordinance of the Slovak Republic, Annex No. 1

² according to EN ISO 4064-1:2017 and OIML R 49-2:2013



Picture No.1 PD Gladiator In-Line



Picture No.2 PD Gladiator Concentric

3.1 Description of subgroups

Marking: PD 15, PD 20

The meter can be equipped by following devices:

- Dialog 3G - Meters emitting a RF signal for remote reading purposes which was not part of this certification
- 3P – Arad mechanical register (3 points)
- ER – Arad's electronic register;
- GK – "kosher" register which is not transmitted data on Shabbat.
- LoRa, MR, VE – mechanical register with different RF signals
- LoRa (LR) Digital register
- Allegro – Arad's electronic register
- CZ4000 electronic register

3.2 Measuring insert

The measuring unit group consists of the sealed register, the measuring chamber, the vane wheel assembly and the pressure plate. It is a key group for the accuracy performance of the meter. The magnetic gear on the top of wane wheel shaft transmits the movement of the turbine to the clockwork and register.

3.3 Indicating device

The capacity of the counter is 99999.99995 m³ for size DN15 and DN20 and minimum resolution of the reading is 0,05 dm³. The register lens (glass, IP 68) is made of borosilicate glass on request to give the register protection against the impact damage and contamination.



The counter design does not allow for resetting of meter indications.

Counter pointers rotate clockwise. Indicated digital values increase as the drums with digits marked on them move upwards. An indication increase by one digit is complete when a digit in a lower decade change from 9 to 0. In a decade of the lowest values digital indications change continuously. Black digits marked on digital drums or black pointers indicate cubic meters or their multiples whereas red digits or pointers indicate submultiples of cubic meters.

The pointers move round scales marked with proper multipliers and placed on an indicating dial.

3.4 Principle of operation

The potable water enters the meter from the inlet of the meter to the cup with well-calculated volume. This cup has one entrance and exit gateway. The water come through the gateway, fill the cup, turn it, and get out. Each rotation of cup has been directly transmitting to the register via magnets. The register totalizes the rotation of the cup, multiply it by the cup volume, and by this way calculate the summary volume of water that passed through the water meter. The water meter is dedicated to measure the flow and the delivered cold-water quantity.

3.5 Technical documentation

A number of drawings of technical documentations are listed in the following table:

Drawing No.	Description
11210109MID /02	GLADIATOR INLINE PD15 1 ² EU
11210194MID/02	11210194MID GLADIATOR INLINE PD15 1 ² EF EU
11210709MID /01	GLADIATOR INLINE PD15 3 ⁴ EU
11210794MID /01	GLADIATOR INLINE PD15 3 ⁴ EF EU
11245609MID /00	PD20 165 BSP 3 ⁴ Q=2.5
11245694MID /00	PD20 165 BSP 3 ⁴ Q=2.5 OE
11309109MID /03	GLADIATOR INLINE PD15 1 ² 3G EU
11309709MID /01	GLADIATOR INLINE PD15 3 ⁴ 3G EU
11322309MID /00	PD20 165 BSP 3 ⁴ Q=2.5 3G
25282709/03	Register Cover high for OE
90231000/00	Laser init template PD MID
Gladiator-EU_in-line brochure	Marketing and installation manual for PD Gladiator inline model
Gladiator-UK_concentric-brochure	Marketing and installation manual for PD Gladiator Concentric model

All drawings, schemes and technical documentations used during the conformity assessment are saved in document No. NO-492/20.

4 Basic technical characteristics

Type marking		PD Gladiator In-Line
Nominal diameter DN	mm	15, 20
Indicating range	m ³	10 ⁵
Resolution of the reading	m ³	0,00005
Maximum admissible pressure	-	MAP16
Working pressure range	bar	from 0,3 to 16
Pressure loss	-	From Δp 25 up to Δp 63 described in tables below
Temperature class	-	T50
Flow profile sensitivity classes	-	U0, D0

Position	-	H, V
Climatic and mechanical environments	-	closed spaces /from -10°C to 55°C/mech. class M1, class O for fixed meters installed outdoor
Electromagnetic environments	-	E1
Reverse Flow:	-	The meter is not designed to measure reverse flow

Type marking		PD Gladiator Concentric		
Q3	m ³ /h	1,6	2,5	4
Pressure loss	-	Δp 16	Δp 40	
Indicating range	m ³	10 ⁵		
Resolution of the reading	m ³	0,00005		
Maximum admissible pressure	-	MAP16		
Working pressure range	bar	from 0,3 to 16		
Temperature class	-	T50		
Flow profile sensitivity classes	-	U0, D0		
Position	-	H, V		
Climatic and mechanical environments	-	closed spaces /from -10°C to 55°C/mech. class M1, class O for fixed meters installed outdoor		
Electromagnetic environments	-	E1		
Reverse Flow:	-	The meter is not designed to measure reverse flow		

4.1 Additional technical characteristics

Weight	from 0,8kg to 1kg – depend on body's length
IP Code	IP 68
Power supply	The electronic card is powered from an integral batterie size C (3.6V)
Software	The software complies with Welmec Guide 7.2 (2019), Type P, Risk Class C, no Extensions
Software version and checksum	1E.14; Checksum 0xC1F2

5 Basic metrological characteristics

The maximum permissible error (accurate class):

$$\pm 5 \% (Q_1 \leq Q < Q_2)$$

$$\pm 2 \% (Q_2 \leq Q \leq Q_4) \text{ for water temperature (from 0,1 to 30) } ^\circ\text{C}$$

$$\pm 3 \% (Q_2 \leq Q \leq Q_4) \text{ for water temperature greater than 30 } ^\circ\text{C}$$



For PD Inline Meter with $Q_3 = 1,6\text{m}^3/\text{h}$:

Nominal diameter	DN	mm	15, 20			
Minimum flowrate	Q_1	m^3/h	0,005	0,0064	0,008	0,01
Transitional flowrate	Q_2	m^3/h	0,008	0,01024	0,0128	0,016
Permanent flowrate	Q_3	m^3/h	1,6			
Overload flowrate	Q_4	m^3/h	2,0			
Measuring range R	Q_3/Q_1	-	315	250	200	160
Ratio	Q_2/Q_1	-	1,6			
Pressure loss	-	-	Δp 63 for PD15		Δp 25 for PD20	

For PD Inline Meter with $Q_3 = 2,5\text{m}^3/\text{h}$:

Nominal diameter	DN	mm	15, 20				
Minimum flowrate	Q_1	m^3/h	0,00625	0,008	0,01	0,0125	0,01563
Transitional flowrate	Q_2	m^3/h	0,01	0,0128	0,016	0,02	0,025
Permanent flowrate	Q_3	m^3/h	2,5				
Overload flowrate	Q_4	m^3/h	3,125				
Measuring range R	Q_3/Q_1	-	400	315	250	200	160
Ratio	Q_2/Q_1	-	1,6				
Pressure loss	-	-	Δp 63 for PD15		Δp 25 for PD20		

For PD Inline Meter with $Q_3 = 4,0\text{m}^3/\text{h}$:

Nominal diameter	DN	mm	20
Minimum flowrate	Q_1	m^3/h	0,016
Transitional flowrate	Q_2	m^3/h	0,026
Permanent flowrate	Q_3	m^3/h	4,0
Overload flowrate	Q_4	m^3/h	5,0
Measuring range R	Q_3/Q_1	-	250
Ratio	Q_2/Q_1	-	1,6
Pressure loss	-	-	Δp 63

6 Results of conformity assessment

The results of tests, assessments and evaluations given in the evaluation report No. NO-492/20/B/ER dated January 7, 2021 give sufficient evidence, that the technical design of the measuring instrument – Volumetric semi-positive displacement water meter type PD Gladiator is in compliance with the technical requirements of the Slovak Republic Governmental Ordinance No. 145/2016 Coll. relating to the making available on the market of measuring instruments as amended by Government Ordinance of the Slovak Republic No. 328/2019 Coll., Annex No. 1 and Annex No. 3 Water Meters (MI-001) and the EN 14154-1:2005+A2:2011, EN 14154-2:2005+A2:2011, EN 14154-3:2005+A2:2011 and OIML R49-1:2006, OIML R49-2:2004 (harmonised standards and normative documents) and other instructions OIML R49-2:2013, EN ISO 4064-1:2017, EN ISO 4064-2:2017 and EN ISO 4064-3:2014 standards, which are relevant for this type of meter.

7 Data placed on the measuring instrument

On the shroud, the dial of the indicating device or on an identification plate of every water meter or in the product documentation minimum the following data should be marked:

- a) Manufacturer's name, registered trade name or registered mark
- b) Postal address of manufacturer at which they can be contacted
- c) Type of the water meter
- d) Measuring unit (m^3)
- e) Numerical value of Q_3 in m^3/h (Q_3 x,x) and ratio Q_3/Q_1 (Rxxx)
- f) Year of production
- g) Production serial number
- h) Number of EU-type examination certificate and conformity mark
- i) The highest admissible pressure if it differs from 1 MPa (MAP xx)
- j) Flow direction
- k) The letter V or H, if the meter can only be operated in the vertical or horizontal position
- l) Class of pressure loss if it differs from Δp_{63} (Δp XX)
- m) Class of climatic and mechanical environment
- n) Flow profile sensitivity classes ($U_x D_x$)
- o) Class of electromagnetic environment
- p) Output signal of impulse transducer
- q) The temperature class where it differs from T30

8 Conditions of conformity assessment of measuring instruments produced with type approval

PD Gladiator water meter put onto the market in line with the procedure of conformity assessment according to the Annex No.2 (Module D or F) of the Governmental ordinance should be in compliance with the technical description by the item 3 of this report and at test should be in compliance with the requirements determined in OIML R 49-1:2013 and EN ISO 4064-1:2017. Metrological test is performed by testing equipment which should be in compliance with the requirements determined in STN EN 14154-3:2005+A2 and EN ISO 4064-2:2017 and water at temperature $20\text{ }^\circ\text{C} \pm 5\text{ }^\circ\text{C}$ in following point of flowrate:

- a) Minimum flowrate $Q_1 \leq Q \leq 1,1Q_1$
- b) Transitional flowrate $Q_2 \leq Q \leq 1,1Q_2$
- c) Permanent flowrate $0,9Q_3 \leq Q \leq Q_3$

A metrological test may only be performed by a producer, or a notified body respectively in line with the conformity assessment procedure according to the Annex No.2 (Module D or F) of the Governmental ordinance respectively.

9 Measures asked for providing measuring instrument integrity

9.1 Identification

The PD Gladiator water meter should be in compliance with the description provided on the item 3 of this Annex and should be in compliance with the marking specified by the item 7 of this Annex. The number given to the EU-type examination certificate is put at each piece of the measuring instrument.

Emplacement of the conformity mark is followed by § 15 of the Governmental ordinance.

9.2 Sealing of the measuring instrument

The PD Gladiator water meter shall be before the conformity assessment according to the Annex No.2 (Module D or F) of the Governmental ordinance sealed by following sealing marks:

Connection of counter shroud and water meter body shall be sealed by seal used for security measures- in concentric model the upper cover of PD Gladiator water meter assembled by the way, that for intervention to the measuring process or to collecting data – it should be broken. In inline version existed white coloured sealing that have to be broken for interference or disruption of data (Picture No. 3)



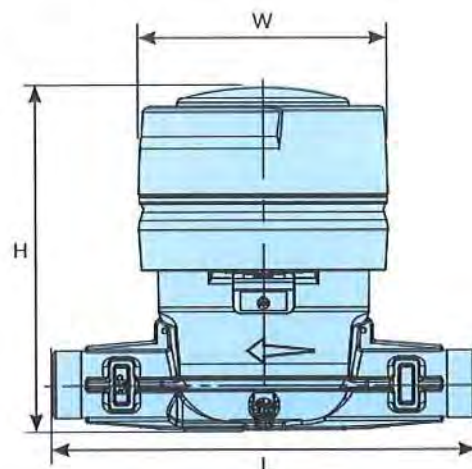
Picture No.3 Sealing in PD inline

10 Requirements for installation, especially conditions of usage
10.1 Installation data

10.1.1 PD Gladiator In-line:

Nominal diameter	PD Gladiator PD15 $Q_3=1,6$ and $Q_3=2,5$									
Length without couplings [mm] - L	110	115	122	130	134	152	154	165	170	190
Weight with 3/4" couplings [kg]	0,8					0,9				
Weight with 1/2" couplings [kg]						0,8				
Weight [kg]						0,6				
Width [mm] - W						98				
Hight [mm] - H						134				
Hight for RF type [mm] - H						150				

Nominal diameter	PD Gladiator PD20 $Q_3=2,5$						PD Gladiator PD20 $Q_3=4,0$					
Length without couplings [mm] - L	110	115	134	165	170	190	140	152	154	165	170	190
Weight with 3/4" couplings [kg]	0,9			1,0			0,9			1,0		
Weight [kg]							0,7					
Width [mm] - W	98						108					
Hight [mm] - H	134						129					
Hight for RF type [mm] - H	150						146					



Picture No.4 Installation dimensions for PD In-Line



10.1.2 PD Gladiator Concentric

Nominal diameter	PD15	PD20
Width [mm] - <i>W</i>	103	103
Hight [mm] - <i>H</i>	141	141
Weight [kg]	0,66	0,66



Picture No.5 Installation dimensions for PD Concentric

10.2 Installation requirements

A PD Gladiator water meter is introduced into the operation by a worker having a certificate for this activity performance. The PD Gladiator water meter is possible to be put into use after a construction in line with this report and in line with a producer instruction by “Instruction of installation and conditions of use of water meters”. A measuring instrument should be installed in direction of water flow arrow marked on the meter body.

10.3 Conditions of use

Within using the measuring instrument, it is needed to be managed by recommendations of a producer by “Instruction of installation and conditions of use of water meters”.



Assessment done by: Ing. Viliam Mazúr

