

# Model KD

DISHNON - Fertilizer meter with electrical output



The DISHNON is a small meter, which is resistant to fertilizer and similar chemicals and which transmits electrical data to automated control systems. The DISHNON contains a small measuring chamber and a magnetic proximity switch made of synthetic polymers and metals capable of withstanding all fertilizer materials currently in common use.



## Features

- Compatible with virtually any type of automated control system
- High accuracy
- Dry contact electrical output
- Corrosion resistant plastic and metal components

## Applications

Automated irrigation systems  
Automated industrial applications using corrosive liquids

## Available Sizes

1/2" (15mm)

## Technical Specifications

<b>Maximum Working Pressure</b>	5 bar
<b>Maximum Working Temperature</b>	50°C
<b>Body</b>	Corrosion resistant plastic
<b>Connection</b>	3/4" BSP

# Model KD

DISHNON - Fertilizer meter with electrical output

## Performance data

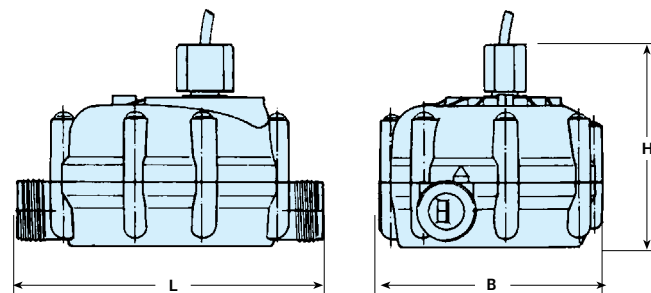
Model	Qmax Maximum flowrate (l/h)	Qmin Minimum flowrate (l/h)
N-KD	750	60
S-KD	500	20

## Electrical output data

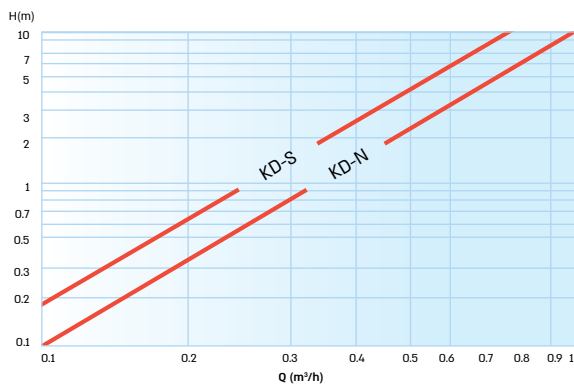
Model	Pulse per unit	V max	I max	Cable Length
N-KD	0.1, 0.25, 1, 10	28V DC	50 mA	1.5 meter
S-KD	0.05			

## Dimensions

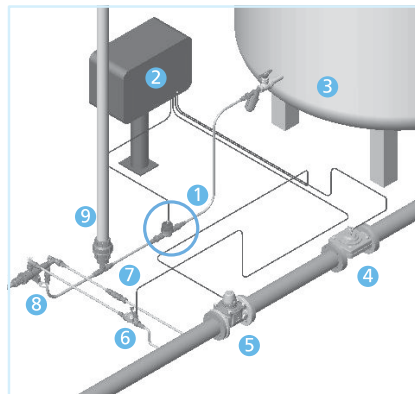
Model		KD
Nominal size	(mm)	15
	(inch)	½
L - Length (mm)		136
H - Height (mm)		86
B - Width (mm)		100
Weight (kg)		0.3



## Head Loss Curve



## Installation Scheme



1. KD Fertilizer Meter
2. Irrigation computer
3. Fertilizer tank
4. Hydraulic valve
5. Water meter
6. Hydraulic valve
7. Flow limiter valve
8. Fertilizer Pump
9. 75 mm damping pipe

## Installation Requirements

- The fertilizer meter should be installed in horizontal position