

Couplings with non-return valve

3/4" - 2"

Couplings for water meters, used also as a non-return valve for installation at outlet of water meter.

Properties

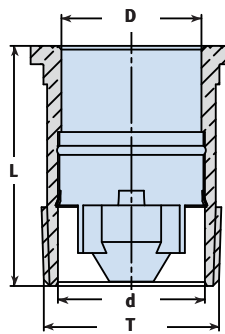
- The valve is an integral part of the Coupling, with no need for any additional accessories
- The Coupling is of standard length, suitable for all Arad water meters
- The valve parts are resistant to corrosion and are made from materials approved for drinking water
- Low head losses

Technical Specifications

Max. working pressure	16 bar
Temperature of liquid	50°C
Body	Brass
Valve	POM & S.St

General Dimensions

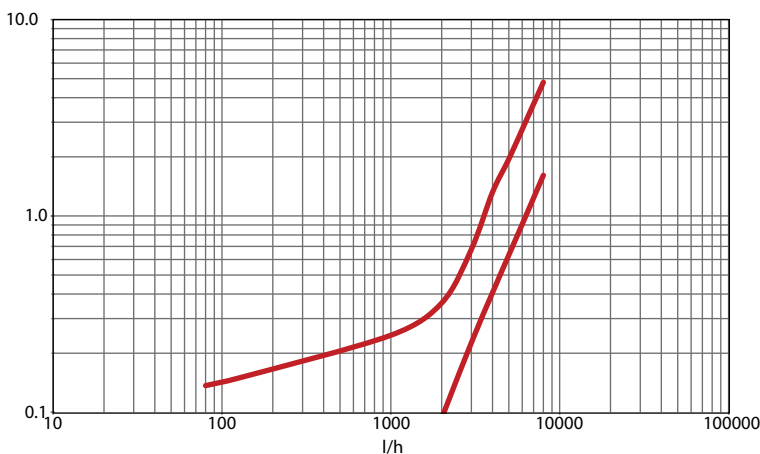
Nominal Dia.	d	D	L	T	
(mm)	(inch)	(mm)	(mm)	(mm)	(mm)
20	3/4	17	20.1	45.5	R 3/4
25	1	25.1	25.1	55.5	R 1
25	1	25.1	25.1	66.5	NPT "1
40	1.5	40.1	38.2	65.5	R 1.5
50	2	50.1	50.1	75.5	R 2



Installation

The Coupling should always be installed at the outlet of the meter, according to the arrow pointing in the flow direction.

Head loss curve



Flexible Coupling

1.5" - 2"

Enables connecting under difficult installation conditions.

Properties

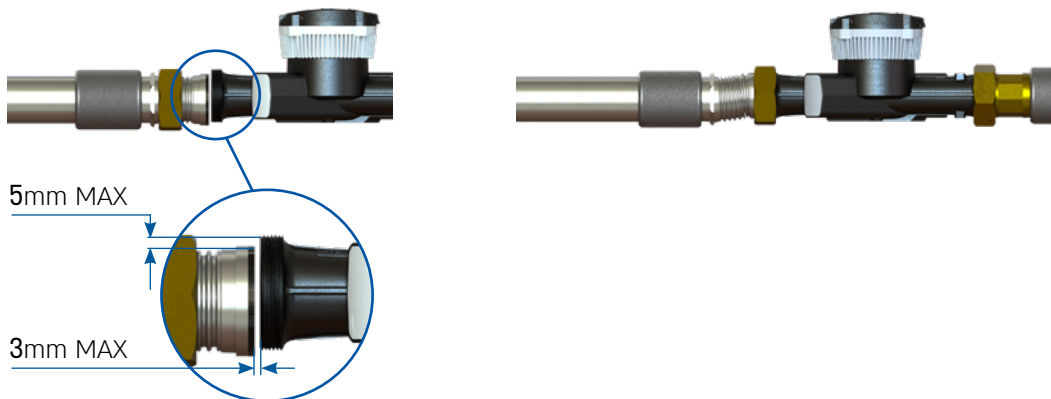
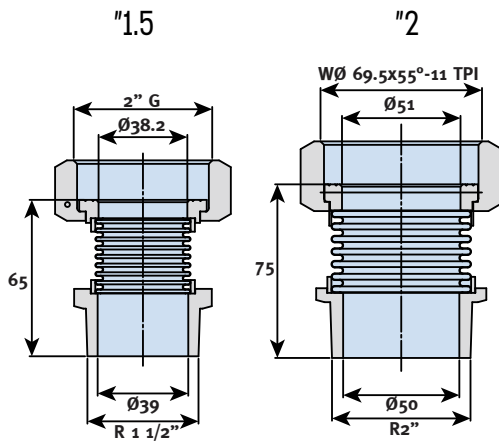
- The Coupling is of standard length, suitable for all Arad water meters
- Meter parts are made from 316 stainless steel, resistant to corrosion and approved for drinking water
- The flexible Coupling compensates for angular deviations of up to 5 mm and gaps of up to 3 mm
- The Coupling can withstand working pressure of up to 16 bar
- Registered sample

Technical Specifications

Max. working pressure	16 bar
Temperature of liquid	50°C
Body	S.ST 316

Installation

The Coupling should always be installed at the outlet of the meter, according to the arrow pointing in the flow direction.



Polymeric Couplings

3/4" - 1.5"

Polymeric Couplings for efficient and convenient connection of water meters.

Properties

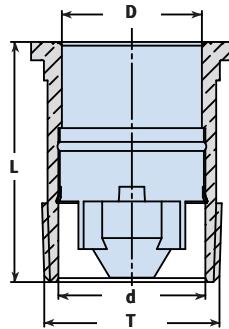
- The Couplings is of standard length, suitable for all Arad water meters
- Optional non-return valve for 1.5" Couplings

Technical Specifications

Max. working pressure	16 bar
Temperature of liquid	50°C
Body	Polymeric

General Dimensions

Nominal Dia.	d	D	L	T	
(mm)	(inch)	(mm)	(mm)	(mm)	(mm)
20	3/4	20.3	17	46	R 3/4
25	1	24.5	24	55.5	R 1
40	1.5	38.1	40.1	65.5	R 1.5



Installation

Couplings with non-return valve should always be installed at the outlet of the meter, according to the arrow pointing in the flow direction.



Octave with polymeric connector at inlet and outlet

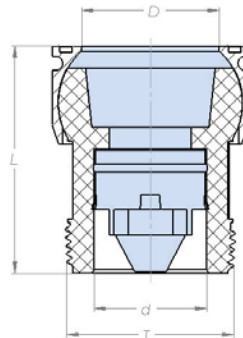
Jointed polymeric Couplings

1.5"*

Flexible polymeric Couplings enabling connection under difficult installation conditions

General Dimensions

Nominal Dia.	d	D	L	T	
(mm)	(inch)	(mm)	(mm)	(mm)	(mm)
40	1.5	33	39	64.8	R 1.5



Installation

Couplings with non-return valve should always be installed at the outlet of the meter, according to the arrow pointing in the flow direction.



Octave with rotational Couplings at inlet + rotational Couplings at outlet (with non-return valve)