

Couplings with non-return valve

3/4" - 2"

Couplings for water meters, used also as a non-return valve for installation at outlet of water meter.

Properties

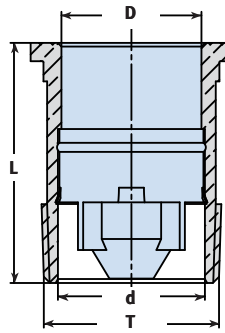
- The valve is an integral part of the Coupling, with no need for any additional accessories
- The Coupling is of standard length, suitable for all Arad water meters
- The valve parts are resistant to corrosion and are made from materials approved for drinking water
- Low head losses

Technical Specifications

Max. working pressure	16 bar
Temperature of liquid	50°C
Body	Brass
Valve	POM & S.St

Head loss curve

Nominal Dia.	d	D	L	T	
(mm)	(inch)	(mm)	(mm)	(mm)	(mm)
20	3/4	17	20.1	45.5	R 3/4
25	1	25.1	25.1	55.5	R 1
25	1	25.1	25.1	66.5	NPT "1
40	1.5	40.1	38.2	65.5	R 1.5
50	2	50.1	50.1	75.5	R 2

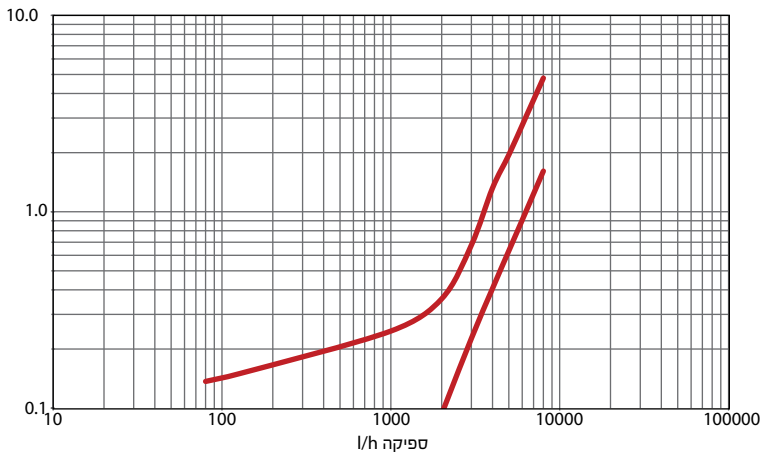


Installation

The Coupling should always be installed at the outlet of the meter, according to the arrow pointing in the flow direction.

*Detailed instructions may be found in the installation manual available on the Arad website.

Head loss curve



Flexible Coupling

1.5" - 2"

Enables connecting under difficult installation conditions.

Properties

- The Coupling is of standard length, suitable for all Arad water meters
- Meter parts are made from 316 stainless steel, resistant to corrosion and approved for drinking water
- The flexible Coupling compensates for angular deviations of up to 5 mm and gaps of up to 3 mm
- The Coupling can withstand working pressure of up to 16 bar
- Registered sample

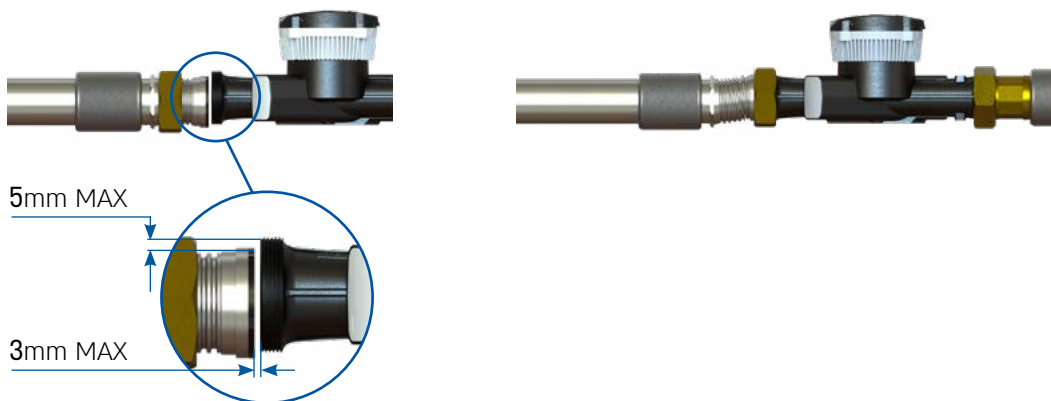
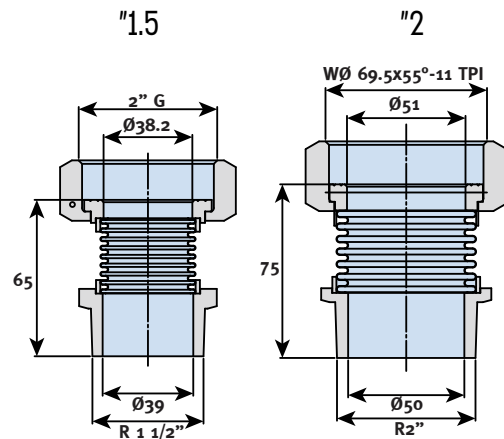
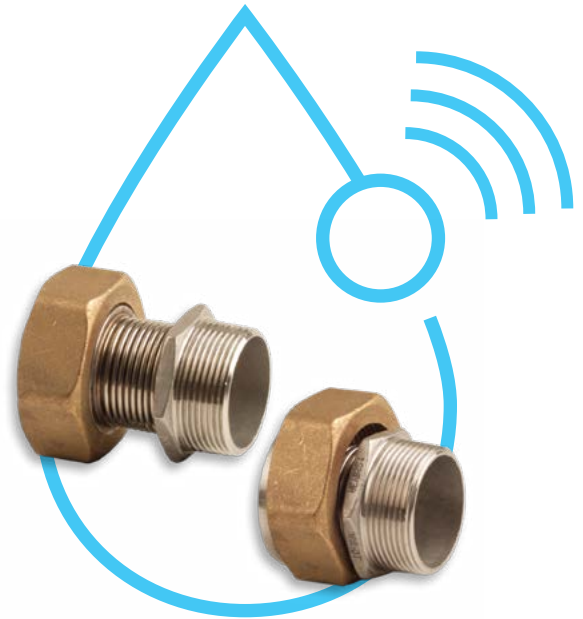
Technical Specifications

Max. working pressure	16 bar
Temperature of liquid	50°C
Body	S.ST 316

Installation

The Coupling should always be installed at the outlet of the meter, according to the arrow pointing in the flow direction.

*Detailed instructions may be found in the installation manual available on the Arad website.



Polymeric Couplings

3/4" - 1.5"

Polymeric Couplings for efficient and convenient connection of water meters.

Properties

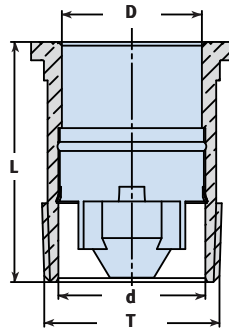
- The Couplings is of standard length, suitable for all Arad water meters
- Optional non-return valve for 1" Couplings

Technical Specifications

Max. working pressure	16 bar
Temperature of liquid	50°C
Body	Polymeric

Head loss curve

Nominal Dia.	d	D	L	T	
(mm)	(inch)	(mm)	(mm)	(mm)	(mm)
20	3/4	20.3	17	46	R 3/4
25	1	24.5	24	55.5	R 1



Installation

Couplings with non-return valve should always be installed at the outlet of the meter, according to the arrow pointing in the flow direction.

*Detailed instructions may be found in the installation manual available on the Arad website.



Octave with polymeric connector at inlet and outlet

Jointed polymeric Couplings

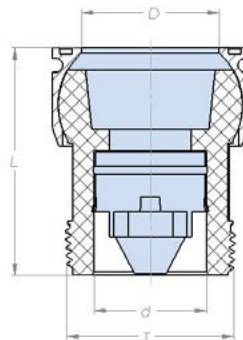
1.5"*

*Available from Q2 2020

Flexible polymeric Couplings enabling connection under difficult installation conditions

Head loss curve

Nominal Dia.	d	D	L	T	
(mm)	(inch)	(mm)	(mm)	(mm)	(mm)
40	1.5	33	39	64.8	R 1.5



Octave with rotational Couplings at inlet + rotational Couplings at outlet (with non-return valve)

Installation

Couplings with non-return valve should always be installed at the outlet of the meter, according to the arrow pointing in the flow direction.

*Detailed instructions may be found in the installation manual available on the Arad website.