

# Model MS

Multi-Jet Magnetic Water Meter



The Multi Jet Silver is a revolutionized water-meter with superior performances which exceeds all known products in the industry. The meter offers very accurate registration in extreme flows, contributing to the revenues of the assigned customer.

## Applications

For domestic, agriculture and industrial use

## Available Sizes

1 1/2" - 2" (40mm - 50mm)

## Standards

MID 2014/22/EC (based on OIML R49 EN 14154 and ISO 4064:2014),  
WRAS (for 40mm)

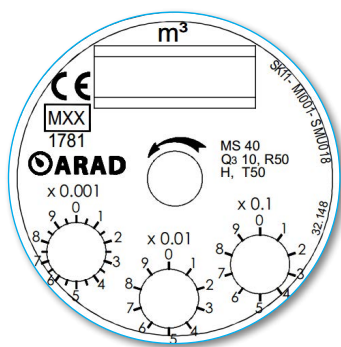
## Features

By incorporating revolutionized hydraulic design the meter has superior performances.

- Incorporates unique magnetic transmission which avoids disconnection.
- Eliminates any previous installment requirements for straight pipe section of 10D 5D upstream and downstream respectively.
- Optional Electrical Output: EV, EF, Dialog 3G, ER.

## Technical Specifications

<b>Maximum Working Pressure</b>	10 bar
<b>Maximum Working Temperature</b>	50°C
<b>Body</b>	Corrosion proof copper alloy Cast iron upon request
<b>Coupling threads</b>	BSP, NPSM



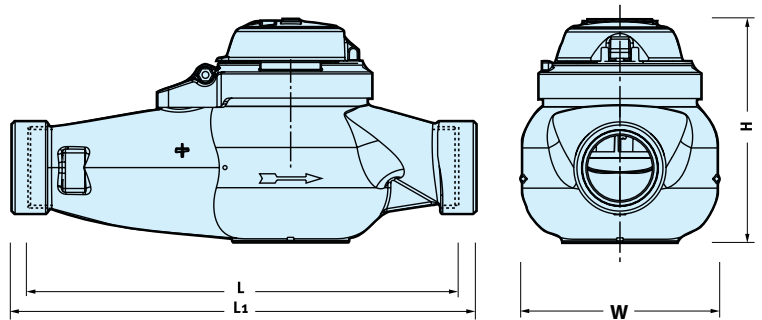
MS type dial

# Model MS

Multi-Jet Magnetic Water Meter

## Dimensions

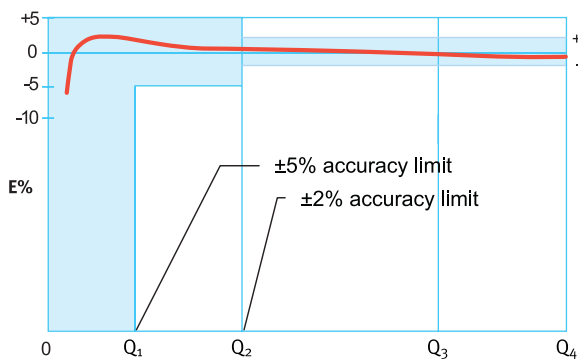
Model		MS40	MS50
Nominal size	(mm)	40	50
	(inch)	1½	2
L - Length without couplings (mm)		300	300
L <sub>1</sub> - Length with couplings (mm)		435	460
B - Width (mm)		125	160
H - Height (mm)		140	190
Weight (kg)		4.1	8
Weight with couplings (kg)		5.1	9.4



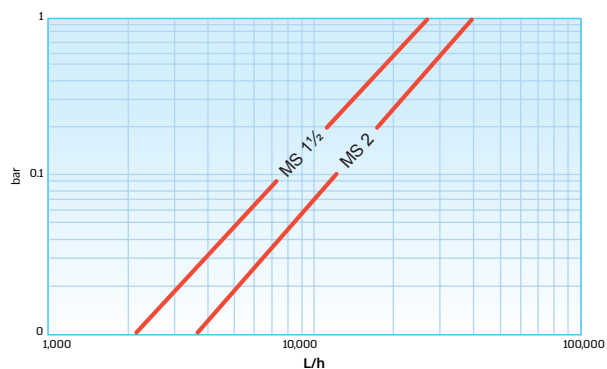
## Performance data:

Model	Nominal size (inch)	Q1 Minimum flowrate (m³/h)	Q2 Transitional flowrate (m³/h)	Q3 Nominal flowrate (m³/h)	Q4 Maximum flowrate (m³/h)	R Q3/ Q1	Indicating range (m³/h)	Smallest readable unit (liter)	Accuracy between Q4 & Q2	Accuracy between Q2 & Q1
MS40	1½	0.10	0.16	10	12.5	100	999,999	0.5	±2%	±5%
MS40	1½	0.20	0.32	16	20	80				
MS50	2	0.32	0.512	16	20	50				

## Accuracy Curve



## Head Loss Curve



## Installation Requirements

- The meter should be installed in horizontal position dial face up.
- Pipeline must be flushed before installation.
- The meter should be constantly full of water.