

# Model WMR

Irrigation & Agriculture

The ample space around the core of the in-line helical axial turbine allows foreign matter to pass through the meter without clogging.

- **Applications**

For main supply lines, agriculture and industry

- **Available Sizes**

2" (50mm)

**Features:**

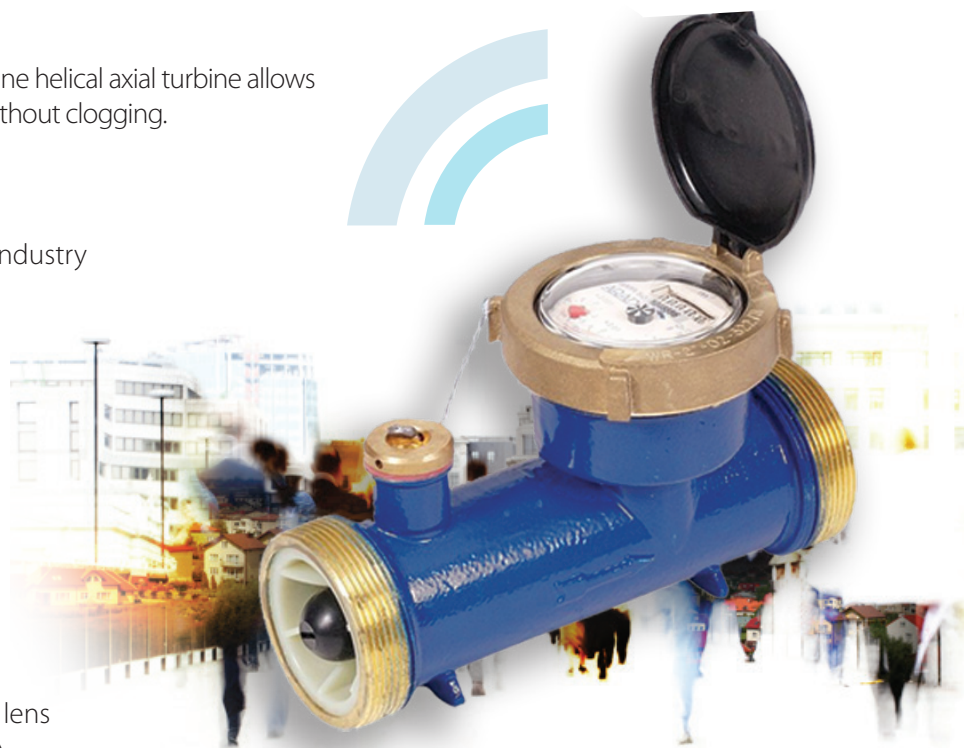
- Minimum head loss
- High accuracy
- Hermetically sealed register with glass lens
- Optional electrical output: EV (volume), EF (rate of flow) or DIALOG
- Not sensitive to dirt

**Technical Specifications**

<b>Maximum Working Pressure</b>	16 bar
<b>Maximum Liquid Temperature</b>	55°C
<b>Body</b>	Iron, polyester coated
<b>Connection</b>	2" BSP coupling



WMR type dial

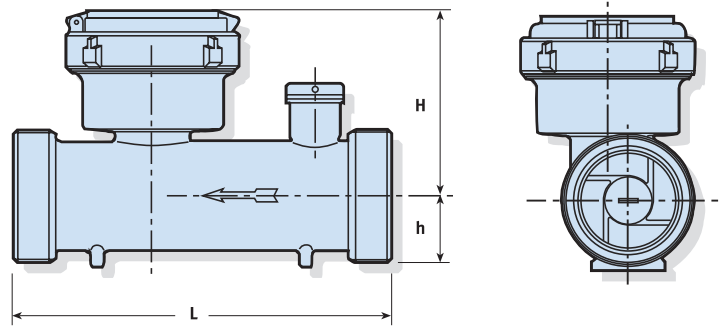


# Model WMR

## Irrigation & Agriculture

### Dimensions

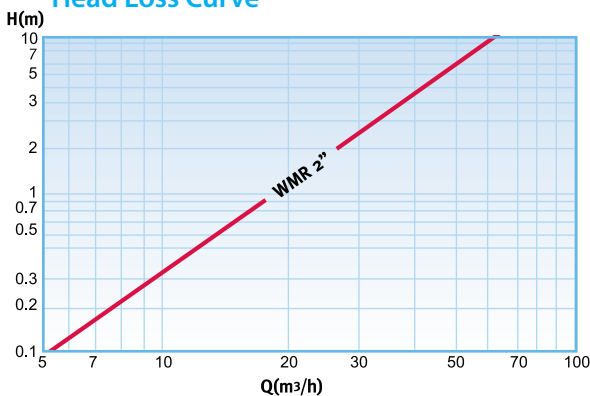
Model		WMR
Nominal size	(mm)	50
	(inch)	2
L – Length without couplings (mm)		200
H – Height (mm)		98
h – Height (mm)		40
Weight (kg)		2.3
Weight with couplings (kg)		3.7



### Performance data:

Model WMR		Qmax	Qn	Qn	Qt	Qmin	Starting Flow	Maximum register capacity	Smallest readable unit	Accuracy between Qmax & Qt	Accuracy between Qt & Qmin
Nominal size		Maximum flowrate (m3/h)	ISO 4064 (m3/h)	Nominal Flowrate (m3/h)	Transitional Flowrate (m3/h)	Minimum Flowrate (m3/h)	(m3/h)	(m3)	(liter)		
(mm)	(inch)										
50	2	40	15	20	2	0.45	0.15	10 <sup>6</sup>	1	±2%	±5%

### Head Loss Curve



### Installation Requirements

- The water meter may be installed in any position. For non-horizontal position the flow shall be upwards.
- The meter shall be full of water while operating.
- Prior to installation of a meter the pipeline shall be thoroughly flushed.
- Straight pipe section of the same diameter D as the meter, having lengths of 10D and 5D shall be installed upstream and downstream of the meter respectively.

Please view our website for the most updated version of this brochure: [www.arad.co.il](http://www.arad.co.il)  
Specifications are subject to change without notice.