

# Saddle Meter

The saddle meter is a new bulk meter developed for irrigation applications. The saddle meter can be installed easily while maintaining precise hydraulic characteristics.

- **Applications**  
Agriculture and turf Irrigation
- **Available Sizes**  
6"-12" (150-300mm), future 16"

## Features:

- Can be installed on any existing pipe PVC, Cement, cast iron
- Easy to install - no need for flanges
- High accuracy while using the WSTsb measuring unit
- LCD programmable registers (ER) for different measuring units, outputs and pipe sizes
- Suitable for both retrofit and brand new installations
- Ideal solution for agriculture and turf irrigation applications

## Technical Specifications

<b>Maximum Working Pressure</b>	10 bar = 150 psi
<b>Maximum Liquid Temperature</b>	60°C
<b>Measuring units</b>	M3, U.S. Gallon, cu.ft,
<b>Register</b>	ER
<b>Materials</b>	Stainless steel
<b>Oval hole sizes</b>	As per Specifications

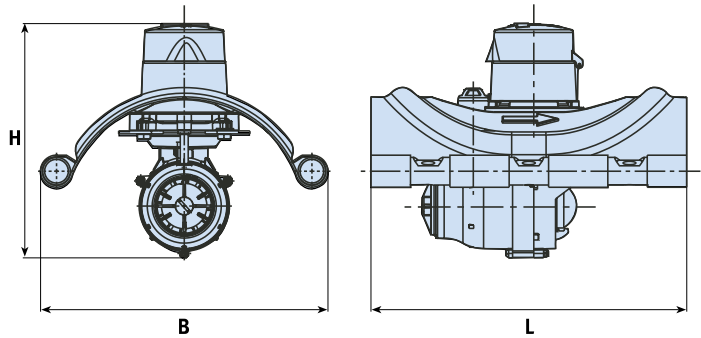


ER - Electronic Register

# Saddle Meter

## Dimensions

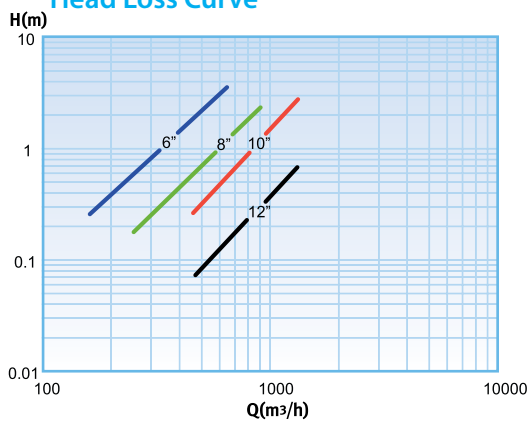
Model		Saddle			
Nominal size	(mm)	150	200	250	300
	(inch)	6	8	10	12
L - Length without couplings (mm)		280	320	325	320
B - Width (mm)		260	295	350	400
H - Height (mm)		240	240	315	340
Weight (kg)		7	7	9.5	10.5



## Performance data:

Model Saddle		Qmax	Qn	Qt	Qmin	Maximum register capacity	Smallest readable unit	Accuracy between Qmax & Qt	Accuracy between Qt & Qmin
Nominal size		Maximum flowrate (m3/h)	Nominal Flowrate (m3/h)	Transitional Flowrate (m3/h)	Minimum Flowrate (m3/h)	(m3)	(liter)		
(mm)	(inch)								
150	6	410	250	20	5	10 <sup>7</sup>	10	±2%	±5%
200	8	730	450	30	7	10 <sup>7</sup>	100		
250	10	1400	750	40	10	10 <sup>7</sup>	100		
300	12	2000	1000	60	18	10 <sup>7</sup>	100		

## Head Loss Curve



## Installation Requirements

- The meter must be always full of water while operating
- Prior to the installation of a new meter, the pipeline must be flushed out
- 10 diameters upstream and 5 diameter downstream

For the most updated version, please view our website: [www.arad.co.il](http://www.arad.co.il)