

Model Carmel

Multi-Jet Magnetic Water Meter



The Carmel meter is a new multi-jet meter with light composite body and top attachable register unit totally isolated from the water pressure.



Applications

For domestic consumption

Available Sizes

1/2"-3/4" (15mm-20mm)

Standards

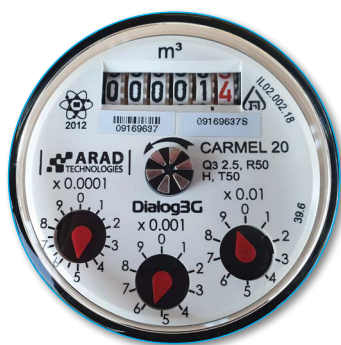
MID 2014/32/EU (based on OIML R49:2013, ISO 4064:2014)

WRAS

NSF61

Features

- Sealed super dry magnetic register
- 6 digits counter + 3 pointers for high accuracy measurement readout
- Central "star" used for leak detection and electronic testing
- Lightweight, rotatable register for convenient positioning of dial
- Register options: regular, Optical Encoder (OE), Dialog 3G, EV, EF



Carmel type dial

Technical Specifications

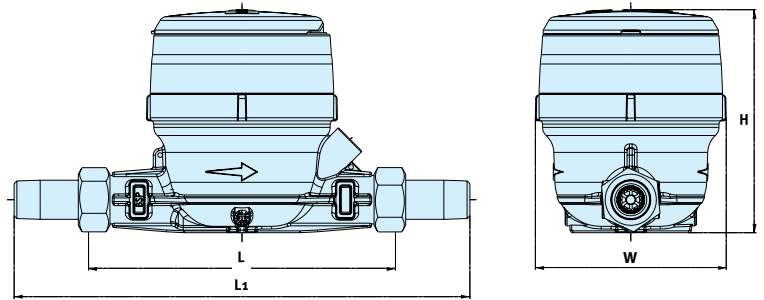
Maximum Working Pressure	10 bar
Maximum Working Temperature	50°C
Body	Highly reinforced composite material Optional for 20mm: corrosion proof copper alloy
Coupling threads	BSP, NPSM

Model Carmel

Multi-Jet Magnetic Water Meter

Dimensions

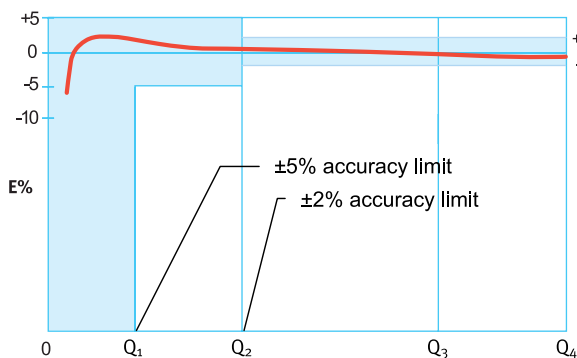
Model		Carmel 15	Carmel 20
Nominal size	(mm)	15	20
	(inch)	1/2	3/4
L - Length without couplings (mm)		65	190
L ₁ - Length with couplings (mm)		260	285
W- Width (mm)		105	105
H - Height (mm)		140	140
Weight - plastic body (kg)		0.65	0.7
Weight with couplings - plastic body (kg)		0.9	1
Weight - metal body (kg)		-	1.38
Weight with couplings - metal body (kg)		-	1.68



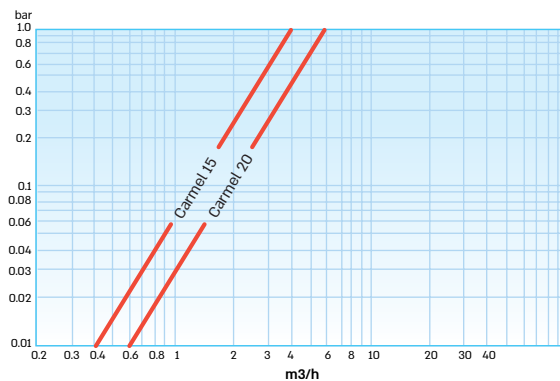
Performance data

Model Carmel		Q1 Minimum flowrate (l/h)	Q2 Transitional flowrate (l/h)	Q3 Nominal flowrate (m3/h)	Q4 Maximum flowrate (m3/h)	Maximum Register capacity (m3)	R Value	Smallest readable unit (liter)	Accuracy between Q4 & Q2	Accuracy between Q2 & Q1
Nominal size										
(mm)	(inch)									
15	1/2	25.4	40.6	1.6	2	10 ⁵	63	0.05	±2%	±5%
20	3/4	32.0	51.2							
		50	80	2.5	3.1	50	80			
		31.2	50							
20 (metal body)	1/2	31.2	50				80			

Accuracy Curve



Head Loss Curve



Installation Requirements

- The Meter should be installed in horizontal position dial face up
- Pipeline must be flushed before installation
- The meter should be constantly full of water.