

# Model PB

Plastic Body Liquid Chemical Meter

The PB is an angle type, plastic body, multi-jet liquid chemical meter.



#### Features

- The impeller is corrosion resistant and is the only moving element that comes in contact with the liquid
- Electrical output (EV)

#### Applications

- Measuring flow of fertilizer solutions, for agriculture, distilled water, seawater and many other diluted solutions

#### Available Sizes

3/4" - 1" (20 - 25mm)

#### Technical Specifications

<b>Maximum Working Pressure</b>	10 bar
<b>Maximum Working Temperature</b>	50°C
<b>Body</b>	PVC
<b>Connection</b>	1" BSP
<b>Electrical output</b>	1, 10, 100 liter/pulse

# Model PB

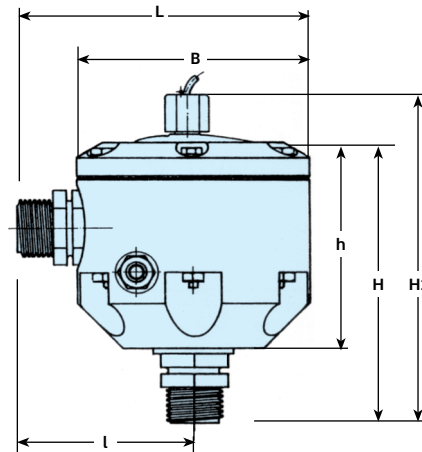
Plastic Body Liquid Chemical Meter

## Performance data

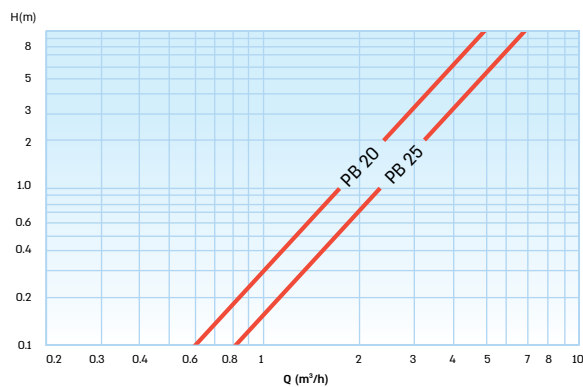
Model PB		Qmax Maximum flowrate (m <sup>3</sup> /h)	Qn Nominal Flowrate (m <sup>3</sup> /h)	Qt Transitional Flowrate (l/h)	Qmin Minimum Flowrate (l/h)	Minimum register capacity (m <sup>3</sup> )	Minimum register capacity (Liter)	Accuracy between Qmax & Qt	Accuracy between Qt & Qmin
Nominal Size									
inch	mm								
¾	20	5	2.5	200	50	10 <sup>5</sup>	0.1	2% ±	5% ±
1	25	10	5	400	100	10 <sup>5</sup>	0.1		

## Dimensions

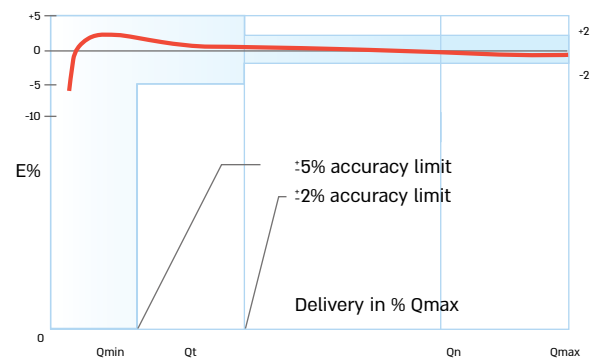
Model		PB	
Nominal size	(mm)	20	25
	(inch)	¾	1
<b>L - Length (mm)</b>		150	
<b>l - Length (mm)</b>		90	
<b>H - Height (mm)</b>		150	
<b>H1 - Height with reed switch (mm)</b>		170	
<b>h - Height (mm)</b>		115	
<b>B - Width (mm)</b>		120	
<b>Weight (kg)</b>		0.875	



## Head Loss Curve



## Accuracy Curve



## Installation Requirements

- The meter should be installed with dial face in horizontal position
- Specifications are subject to change without notice