

Gladiator EU

Positive Displacement Water Meter



The Gladiator EU is Arad's super sensitive positive displacement water meter of rotating piston type. The flowing water causes the piston to rotate within its chamber, each piston revolution being equivalent to a known volume of water. The piston movement is transferred by a magnetic coupling to the register which has the appropriate reduction gearing. The Gladiator is one of the most reliable meters for AMR / AMI needs.



Applications

Domestic consumption

Available Sizes

½", ¾", 1" (15mm, 20mm, 25mm)

Standards

MID 2014/32/EU (based on OIML R49 EN 14154 and ISO 4064:2014),
WRAS 1307073/ 1504700

NMI 1413131

SAI SMK 40532

ACS

Features

- Specially designed for high accuracy and wide measuring range
- Sealed super-dry register
- Communication types: LoRaWan, Dialog 3G, OE and ER
- Optional - non return valve



Example of a Gladiator EU dial face

Technical Specifications

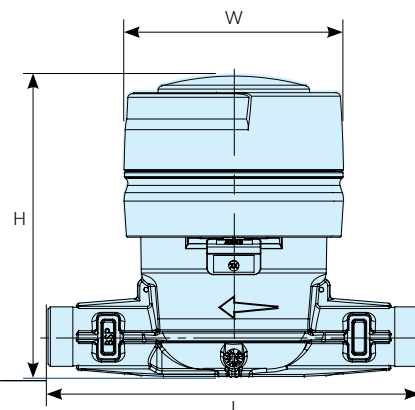
Maximum Working Pressure	16 bar
Maximum Working Temperature	50°C
Meter body material	Highly reinforced composite material
Body	BSP, NPSM
Inlet / Outlet Threads	¾" (For pipe size ½") 1" (For pipe size ¾") 1-¼" (For pipe size 1")
Register	IP68

Gladiator EU

Positive Displacement Water Meter

Dimensions

Model		Gladiator EU (inline)									
Nominal size	(mm)	PD15 Q3=1.6 and Q3=2.5									
	(inch)	1/2" or 3/4" (Pipe line)									
L - Length without couplings (mm)		110	115	122	130	134	152	154	165	170	190
W - Width (mm)		98	98	98	98	98	98	98	98	98	98
H - Height (mm) - Regular Type		134	134	134	134	134	134	134	134	134	134
H - Height (mm) - RF Type		150	150	150	150	150	150	150	150	150	150
Weight (kg) without couplings		0.6	0.6	0.6	0.6	0.6	0.6	0.6	0.6	0.6	0.6
Weight (kg) with 1/2" couplings		0.8	0.8	0.8	0.8	0.8	0.8	0.8	0.8	0.8	0.8
Weight (kg) with 3/4" couplings		0.8	0.8	0.8	0.8	0.8	0.8	0.9	0.9	0.9	0.9

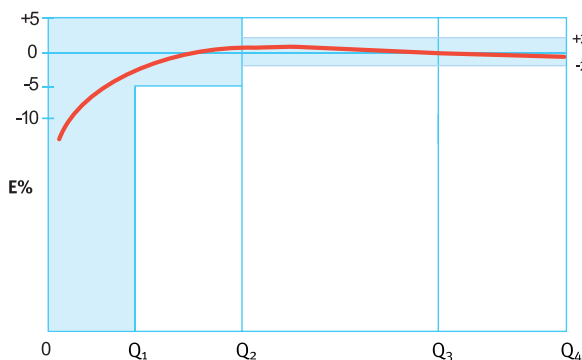


Model		Gladiator EU (inline)														
Nominal size	(mm)	PD20 Q3=2.5					PD20 Q3=4					PD25 Q3=6.3				
	(inch)	3/4" (Pipe line)					3/4" (Pipe line)					1" (Pipe line)				
L - Length without couplings (mm)		110	115	134	165	170	190	140	152	154	165	170	190	178	198	260
W - Width (mm)		98	98	98	98	98	98	108	108	108	108	108	108	136	136	136
H - Height (mm) - Regular Type		134	134	134	134	134	134	129	129	129	129	129	129	156	156	156
H - Height (mm) - RF Type		150	150	150	150	150	150	146	146	146	146	146	146	172	172	172
Weight (kg) without couplings		0.7	0.7	0.7	0.7	0.7	0.7	0.7	0.7	0.7	0.70	0.7	0.7	1.28	1.3	1.32
Weight (kg) with 1/2" couplings		-	-	-	-	-	-	-	-	-	-	-	-	-	-	-
Weight (kg) with 3/4" couplings		0.9	0.9	0.9	1	1	1	0.9	1	1	1	1	1	-	-	-
Weight (kg) with 1" couplings														1.68	1.7	1.71

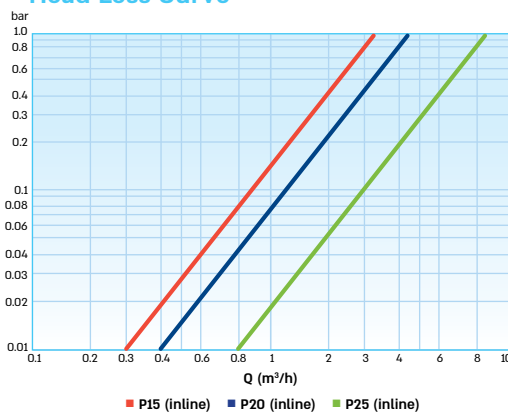
Performance data:

Model	Nominal Size (mm)	Q4 Maximum flowrate (m3/h)	Q3 Nominal flowrate (m3/h)	Q2 Transitional flowrate (l/h)	Q1 Minimum flowrate (l/h)	R Q3/Q1	Δp at Q3 (ISO class)	Maximum register capacity (m3)	Minimum register capacity (l)	Sensitivity (l/h)
PD15 (inline)	15	2.0	1.6	8.0	5.0	315	25	10 ⁵	0.02	2
				10.24	6.4	250				
				12.8	8.0	200				
		3.125	2.5	10.0	6.25	400	63			
				12.8	8.0	315				
				16.0	10.0	250				
PD20 (inline)	20	3.125	2.5	10.0	6.25	400	40	10 ⁵	0.02	2
PD20 (inline)	20	5.0	4.0	25.6	16.0	250	63	10 ⁵	0.02	2
PD25 (inline)	25	7.8	6.3	32	20.0	315	63	10 ⁵	0.02	6

Accuracy Curve



Head Loss Curve



Installation Requirements

- The meter can be installed in any position (horizontal, vertical or inclined)
- See separate Installation Instructions for full details.