

Gladiator Australia

Positive Displacement Water Meter



The Gladiator is Arad's new super sensitive positive displacement water meter of rotating piston type. The flowing water causes the piston to rotate within its chamber, each piston revolution being equivalent to a known volume of water. The piston movement is transferred by a magnetic coupling to the register which has the appropriate reduction gearing. The Gladiator is one of the most reliable meters for AMR needs.



Applications

Domestic consumption

Available Sizes

15mm and 20mm

Standards

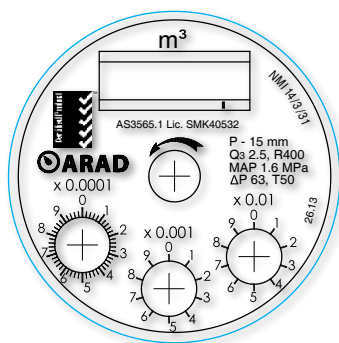
NMI R49 - 1413131

SAI SMK (AS3565) 40532

AS/NZS 4020:2005

Features

- Specially designed for high accuracy and wide measuring range
- Sealed super-dry register
- Register options: regular, Dialog 3G, with EV output, OE, ER
- Optional - non return valve
- Single and dual check variants



Gladiator AU dial

Technical Specifications

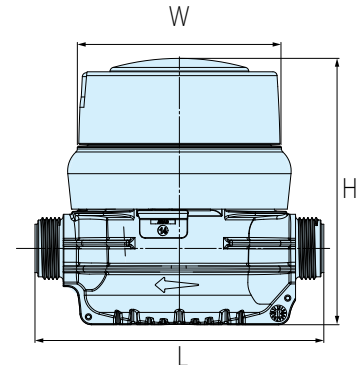
Maximum Working Pressure	16 bar
Maximum Working Temperature	50°C
Body	Highly reinforced composite materia, metal threads
Coupling Threads (For inline)	BSP, NPSM, NSW
Inlet / Outlet Threads	3/4" (For pipe size 1/2") 1" (For pipe size 3/4")
Register	IP68

Gladiator Australia

Positive Displacement Water Meter

Dimensions

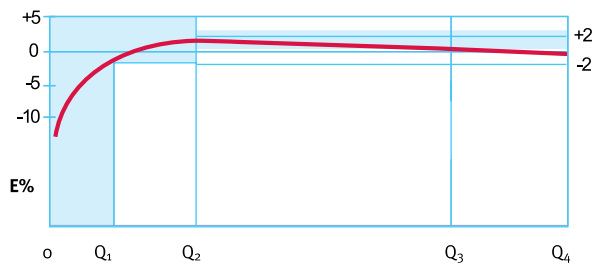
Model		Gladiator Australia	
Nominal size	(mm)	15	20
	(inch)	1/2"	3/4"
L - Length without couplings (mm)		154	154
W - Width (mm)		98	98
H - Height (mm) - Regular Type		134	129
H - Height (mm) - RF		150	146
Weight (kg) without couplings		0.6	0.7
Weight (kg) with 1/2" couplings		0.8	-
Weight (kg) with 3/4" couplings		0.85	0.95



Performance data:

Model	Nominal Size (mm)	Q4 Maximum flowrate (m3/h)	Q3 Nominal flowrate (m3/h)	Q2 Transitional flowrate (l/h)	Q1 Minimum flowrate (l/h)	R Q3/Q1	Δp at Q3 (ISO class)	Maximum register capacity (m3)	Minimum register capacity (l)	Sensitivity (l/h)
P15 (inline)	15	3.125	2.5	1010.0	6.25	400	63	10 ⁵	0.02	1
				12.8	8.0	315				
				16.0	10	250				
P20 (inline)	20	5	4	25.6	16.0	250	63	10 ⁵	0.02	1

Accuracy Curve

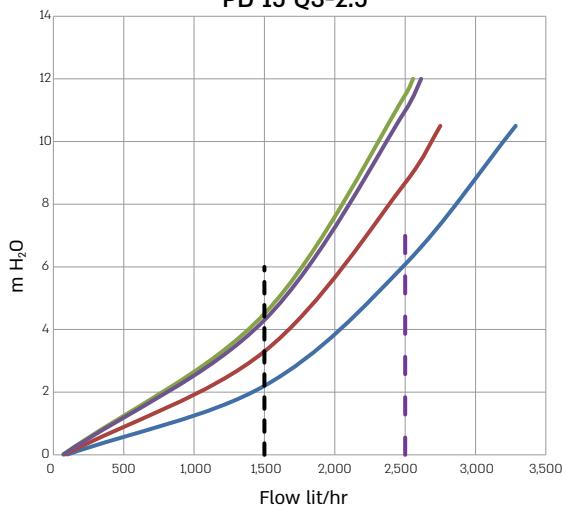


Installation Requirements

- The meter can be installed in any position (horizontal, vertical or inclined)
- See separate Installation Instructions for full details.

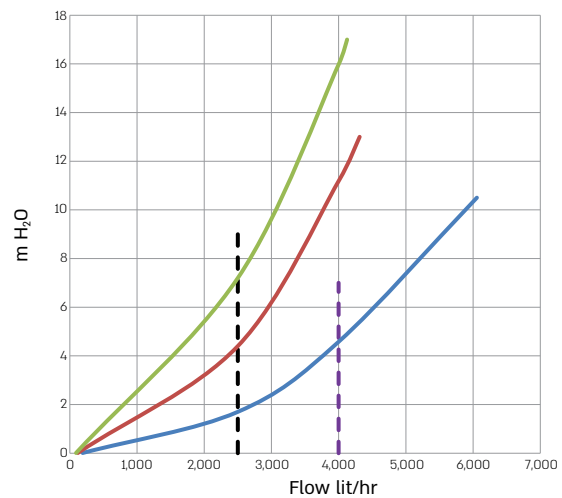
Head Loss Curve

PD 15 Q3=2.5



- PD 15 Assembly without NRVs
- PD 15 Assembly with double NRVs in the outlet
- PD 15 Assembly with one NRV in the outlet
- PD 15 Assembly with one NRVs in the inlet-outlet

PD 20 Q3=4



- PD 20 Assembly without NRVs
- PD 20 Assembly with double NRVs in the inlet+outlet
- PD 20 Assembly with one NRV in the outlet