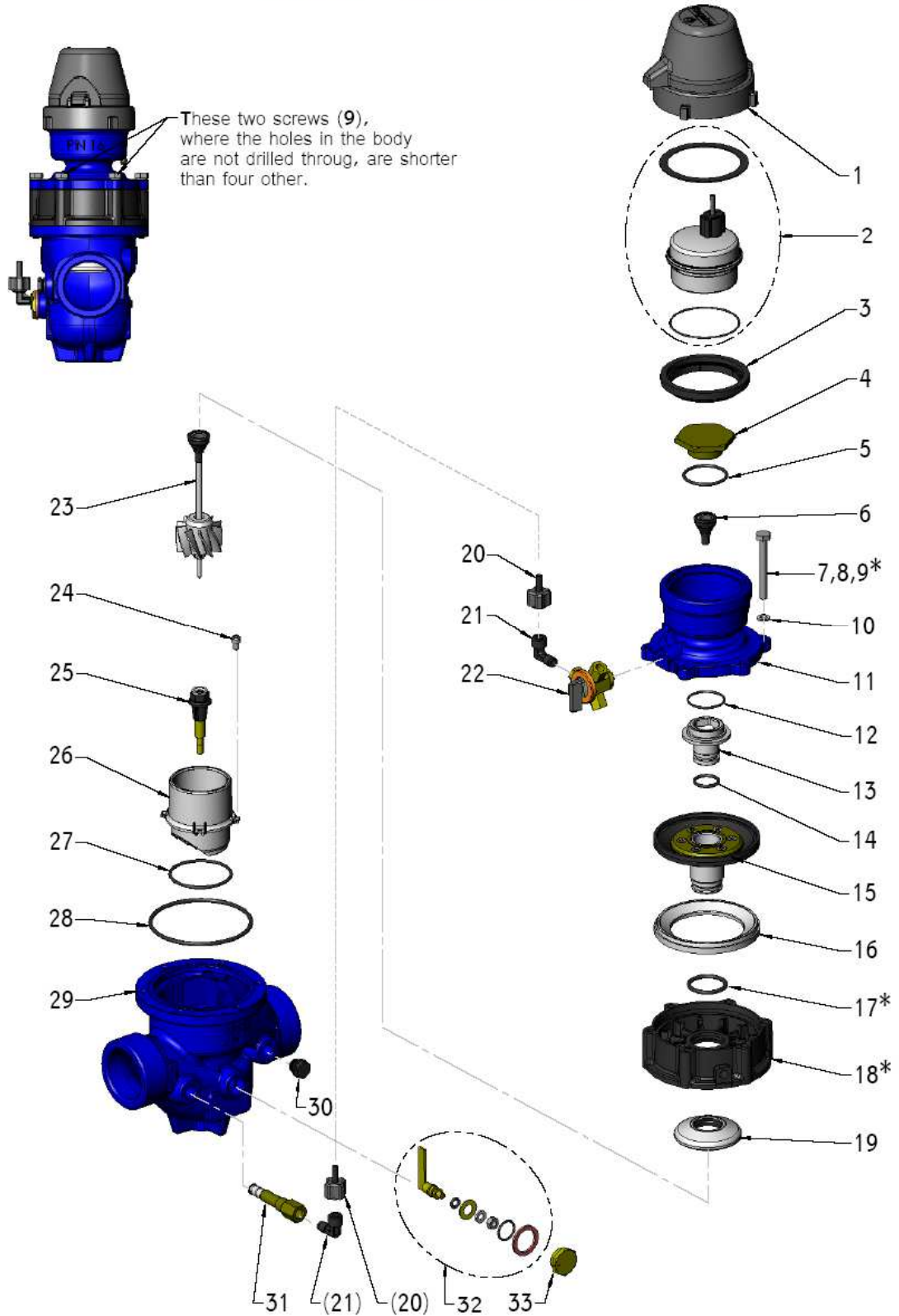


BM 2" 17820510



No.	Cat. No.	Description	Quantity
1	-----	Register Cover (According to Order)	1
2	-----	Register BM 2 (According to Order)	1
3	23123509	Adapter ring WM	1
4	21140029	Upper Bearing Screw assy	1
5	20612709	O-ring PARKER 2-128 ID-37.77 W-2.62	1
6	20930119	Magnet housing M 1 1/2 assy	1
7	21040709	Hexagon screw A2 1/4 UNCx2 1/2" DIN 931	3
8	21040710	Cover screw BM 2 drilled	1
9	21040719	Hexagon screw A2 1/4 UNCx2 1/4 DIN 931	2
10	23020109	Washer M6 DIN 125 A2	6
11	-----	Cover BM 2 (According to Order)	1
12	20600609	O-ring PARKER 2-027 ID-33.05 W-1.78	1
13	28520509	Central bushing BM 2	1
14	20610009	O-ring BUSAK 117	1
15	24602019	Stem BM 2 Calibrated assy	1
16	23145709	Membrane support ring BM 2	1
17*	20612209	O-ring PARKER 2-218 ID-31.34 W-3.53 NBR 70	1
18*	24510509	Base BM 2	1
19	23020219	Stem gasket BM 1 1/2 + 2	1
20	26324119	Pilot tube assy	-
21	25601709	Angle nipple B	3
22	24512609	3-way valve external thread R 1/8 & 3 internal G 1/8	1
23	23741929	Impeller BM 2 assy	1
24	21481509	Socket head cup screw M5 L=8 A2 DIN 912	4
25	21280719	Flow Straightener screw BM 2 assy	1
26	25041709	Flow Straightener BM 2 calibration	1
27	20613909	O-ring PARKER 2-139 BUNA N	1
28	20600809	O-ring PARKER 2-238 ID-88.49 W-3.53	1
29	-----	Body (According to Order)	1
30	21031009	Plug R 1/4	1
31	25420519	Finger strainer 1/4x54 assy	1
32	21381729	Regulator screw BM 2 assy	1
33	21031109	Regulator cap screw BM 2	1

*** Note that O-ring (17) and Base (18) must be replaced together**